



Multi-input Intelligent Process Analyser

MultiSys: AquaPro

Features:

- ❖ Large colour display
- ❖ Up to 4 sensor inputs
- ❖ Up to 6 alarm/control relays
- ❖ Data logging
- ❖ Multiple digital comms protocols
- ❖ Waterproof
- ❖ Broad sensor compatibility
- ❖ Plug & play interface cards
- ❖ USB front panel interface
- ❖ Multiple viewing options

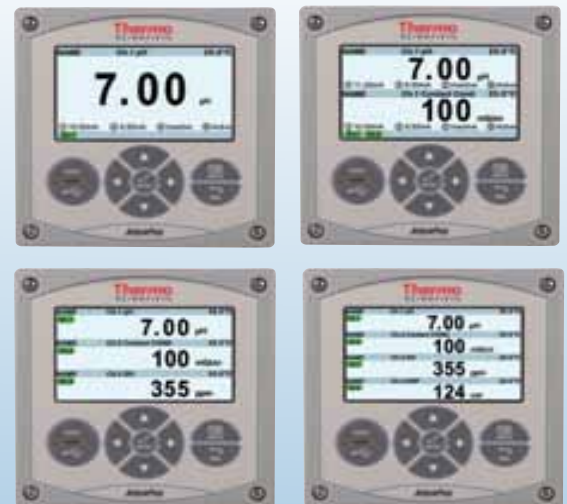
Benefits:

- ❖ Easily read and configurable screen
- ❖ PID control facility
- ❖ Easy data download and software upgrade
- ❖ Interfaces with all industrial SCADA systems
- ❖ Suitable for application in the worst environments
- ❖ Multi parameter display in one unit

Applications:

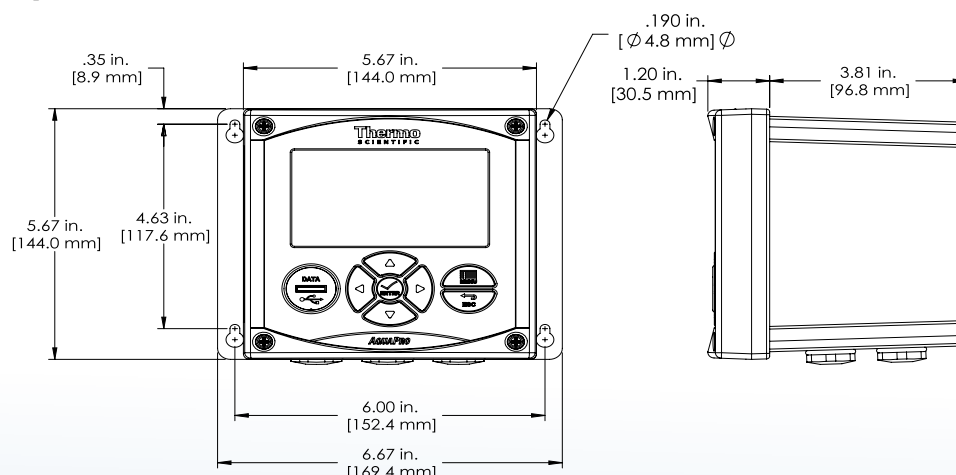
- ❖ Potable Water measurement & control
- ❖ Wastewater measurement & control
- ❖ Process monitoring & control
- ❖ Industrial Water & wastewater monitoring & control
- ❖ Power generation - Cooling and Boiler waters

MultiSys: AquaPro is a sophisticated flexible analysis platform suitable for a wide range of process applications. This rugged IP66 rated, UV resistant polycarbonate cased processor is capable of interfacing up to 4 different sensors at once allowing measurement of many parameters including pH/ORP, Conductivity, DO, Dissolved Ozone, free Chlorine, Turbidity and suspended solids. It provides simple interface to PLC, Scada and other PC based control systems and is compatible with all current industry data communication protocols. Data and events are logged on up to 4 channels for 30 days with data downloadable onto USB stick via the front panel port. Software upgrades and processor configuration may be uploaded via the same port. The unit may be panel, pipe or wall mounted as required. It has a large 4.3" backlit colour display incorporating colour error warning flags. Extra sensors may be retro fitted in the field by simply adding plug and play cards. Two current outputs per sensor and up to six form C relays in total can be accommodated. Full featured PID function for process control is also available.



Data download & software upgrade via USB

System Specification



Mechanical Construction:	Materials:	Polycarbonate case
	Dimensions:	see diagram
Environmental:	Operating Temp	-20- +60 °C
	Storage	-20 - + 70 °C
	Max RH	95% non-condensing
	Rating	IP66
	Certification	CE for industrial use EN6100-4-2,-4-3,-4-4,-4-5,-4-6,-4-11
Mounting Options:	Wall mounting with quick disconnect mounting plate	
	½ DIN Panel mount	
	Pipe/Hand rail mount (vertical/horizontal)	
Interface:	Display	4.3" high contrast colour graphics
	Keypad	7 key menu navigation
Modules:	Slots 1-3	pH/ORP/Conductivity/DO/Ozone/Turbidity/Cl/SS
	Slot 4	pH/ORP/Conductivity/DO/Ozone/Turbidity/Cl/SS, host comms, three optional relays
Outputs:	Current loops	Two isolated 4-20/0-20mA per sensor, 0.01mA resolution Each output assignable to sensor, temperature or Math Full featured PID control function w/pH or conductivity Loop power provided by AquaPro
	Relays	3 standard, 3 optional NC/NO Form C 5A, 250V, assignable to any measurement, temperature or math function
	Digital to Host	Modbus RTU, Device Net, Profibus DP/V1, and Ethernet/IP
Power supply:	AC	100-240VAC, 50/60Hz, 0.4A max @ 25 °C
	DC	24VDC

Standard Inputs for Sensors with DC Signals:

Measurement	Range	Resolution	Elec Accuracy	Units
pH	0 to 14 pH	0.01 pH	0.1mV	pH
ORP	to +2000mV	1mV	0.1mV	mV
D.O.	0 to 20 ppm	0.1 ppm	0.1mV	ppm
Ozone	0 to 10 ppm	0.01ppm	0.1mV	ppm
Temperature**	to 200°C	0.1°C	0.1°C	°C/°F

Standard Inputs for Conductivity Sensors:

Toroidal	0 to 2 S/cm	1 uS/cm	1 uS/cm	
1.0 Cell	0 to 2000 uS/cm	0.1 uS/cm	0.5 uS/cm	uS/cm, MΩ *cm, ppm, %
0.1 Cell	0 to 500 uS/cm	0.01 uS/cm	0.1 uS/cm	uS/cm, MΩ *cm, ppm, %
0.05 Cell	0 to 100 uS/cm	0.01 uS/cm	0.05 uS/cm	uS/cm, MΩ *cm, ppm, %
0.01 Cell	0 to 20 uS/cm	0.001 uS/cm	0.005 uS/cm	uS/cm, MΩ *cm, ppm, %
Temperature**	to 200°C		0.1°C	°C/°F

Standard Inputs for Digital Sensors:

pH	0 to 14 pH	0.01 pH		pH
ORP	to +2000mV	1mV		mV
Toroidal	0to20ppm	1uS/cm		uS/cm, MΩ *cm, ppm, %
1.0 Cell	0 to 2000 uS/cm	0.1 uS/cm		uS/cm, MΩ *cm, ppm, %
0.1 Cell	0 to 500 uS/cm	0.01 uS/cm		uS/cm, MΩ *cm, ppm, %
0.05 Cell	0 to 20 ppm	0.01 uS/cm		uS/cm, MΩ *cm, ppm, %
0.01 Cell	0 to 10 ppm	0.001 uS/cm		uS/cm, MΩ *cm, ppm, %
NTU 0.001 NTU	NTU			Low Turbidity 0 to 100
High Turbidity	0 to 4000 NTU	0.1 NTU		NTU
DO (ppm)	0 to 20 ppm	0.1ppm		PPM
DO (ppb)	0 to 20 ppm	0.001 ppm		PPB, PPM
Ozone	0 to 5 ppm	0.1 ppm		PPM
Free Chlorine	0 to 5 ppm	0.1 ppm		PPM
Suspended Solids	0 to 20,000 ppm	1 ppm		PM, %
Temperature	to 200°C	0.1°C		C/°F

Supplied by: Envitech Ltd. Unit S7, Capital Business Park, Parkway, Cardiff, CF3 2PU
Tel: 02920 364252, Fax 02920 369876, E-mail: sales@envitech.co.uk

Note To End Users : These specifications are subject to change at any time without notice. Envitech Ltd takes no responsibility for the use of these figures. Please consult Envitech Ltd for the latest specifications before using them in tender submissions or third party quotes... Envitech Ltd reserves the right to change specifications without prior warning. All quoted figures are based on test conditions and are subject to variation due to site conditions.