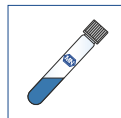


NANOCOLOR[®] CSB 60 / COD / DCO / DQO



Method(e):

0221

5–60 mg/L O₂

20–80 %:

5

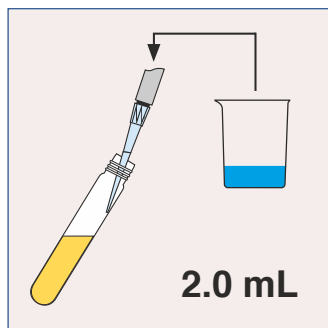
16

49

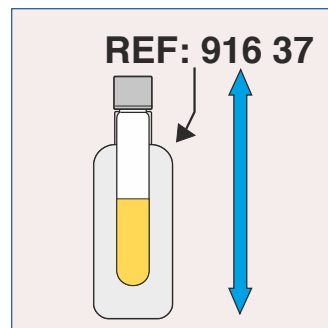
60 mg/L O₂



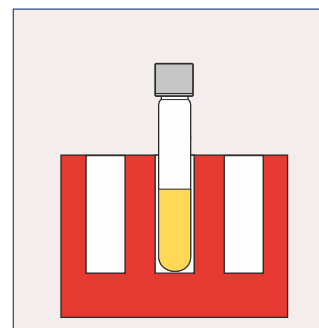
REF 985 022



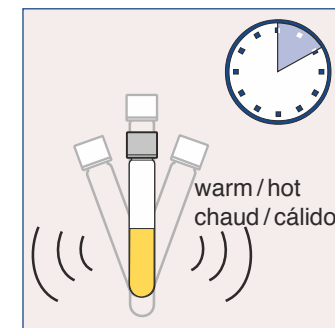
Sample



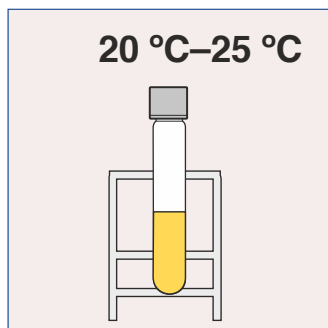
Shake



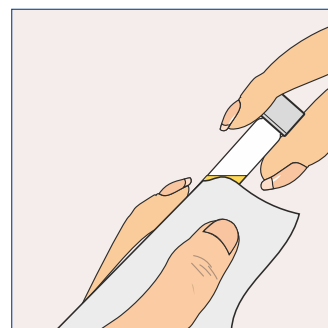
160 °C / 30 min
148 °C / 2 h



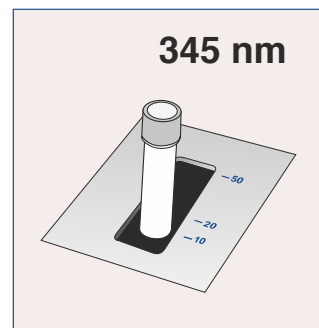
Shake



Cool



Clean



Measure